

## Description

Single, two and three pole isolators to EN 60947 / IEC 60947 with toggle actuation. Designed for rail, panel or surface mounting. Options include auxiliary contacts and remote electrical disconnection. For circuit breaker versions see types 410, 520, 530.

## Typical applications

Control systems, industrial equipment.

## Ordering information

### Type No.

- 911 single pole switch
- 912 double pole switch
- 913 three pole switch

### Terminal design

- K** main terminal
  - up to 32 A: pressure plate B5-DIN 46288
  - up to 63 A: pressure plate B6-DIN 46288
  - up to 125 A: terminal screws DIN 46206, sheet 2, form 1, thread M6

### Mounting

- 1** surface mounting
- 2** rail or panel mounting (rail DIN EN 50022-35x7.5)
- 3** rail or panel mounting (rail DIN EN 50035-G32)
- 4** panel mounting only
- 5** mounting brackets – surface mounting

### Auxiliary contacts (terminals M3.5 or blade terminals (-FA))

- Si** one each N/O and N/C (not for 911-FA)
- Si1** one N/C (11,12) (not for 911-FA)
- Si2** one N/O (13,14)
- 2Si** two each N/O and N/C – types 912, 913 only (not for 912-FA)
- 3Si** three each N/O and N/C – type 913 only (not for 913-FA)

### Remote trip (optional)

- FA 12** remote disconnection, for DC 12 V
- FA 24** remote disconnection, for DC 24 V

### Current ratings

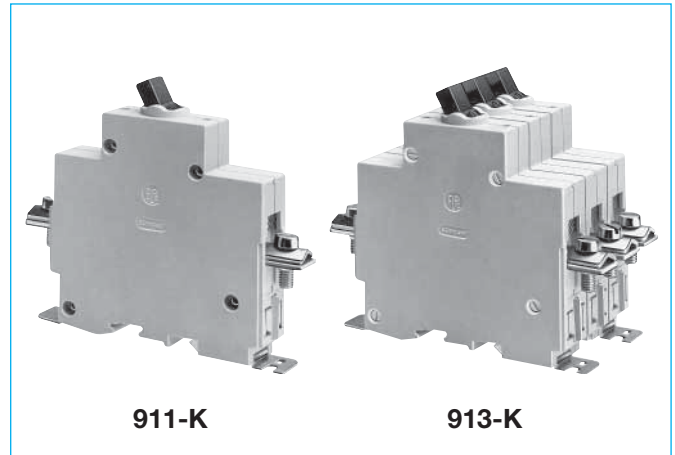
32, 63, 125 A

911 - K - 1 - Si - ... - 63 A ordering example

The exact part number required can be built up from the table of choices shown above. Ordering references for optional features should be omitted if not required.

## Standard current ratings and typical internal resistance values

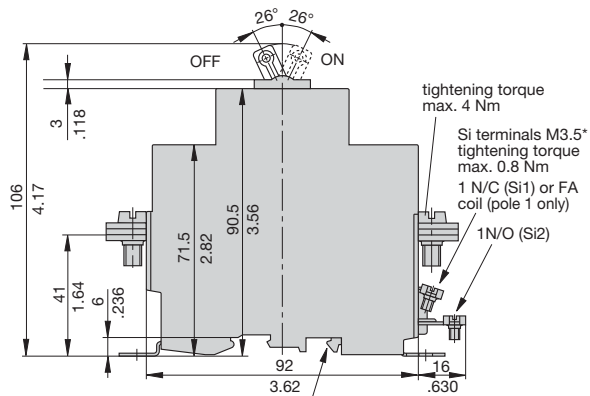
Current rating (A)	Internal resistance (Ω)
32	≤ 0.002 per pole
63	≤ 0.002 per pole
125	≤ 0.002 per pole



## Technical data

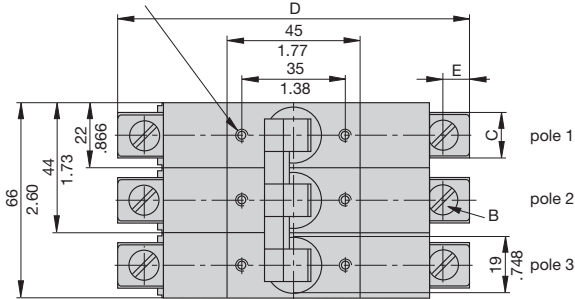
Voltage rating	AC 240 V; 3 AC 415 A; 3 AC 500 V; DC 110 V
Current rating range	32 A, 63 A, 125 A
Auxiliary contact rating	6 A at AC 240 V or DC 28 V; 1 A at DC 110 V
Electrical remote disconnection (FA)	operating voltage DC 12 V or DC 24 V operating current approx. 18 A or 12 A max. pulse time 10 ms < t <sub>ON</sub> < 20 ms / t <sub>OFF</sub> > 10 s switching time < 20 msec
Typical life	10,000 operations at I <sub>N</sub> 20,000 operations mechanical
Ambient temperature	-40...+75 °C (-40...+167 °F)
Insulation co-ordination (IEC 60664 and 60664A)	rated impulse withstand voltage 6 kV pollution degree 3
Dielectric strength (IEC 60664 and 60664A)	test voltage AC 3,300 V operating area pole/pole AC 3,300 V main to aux. circuit AC 2,200 V aux. circuit 11-12 to 13-14 AC 1,000 V
Insulation resistance	> 100 MΩ (DC 500 V)
Short-circuit protection	back up fuse max. 125 A
Degree of protection (IEC 60529/DIN 40050)	operating area IP40 terminal area IP00
Vibration	5 g (57-200 Hz), ± 0.38 mm (10-57 Hz) to IEC 60068-2-6, test Fc 10 frequency cycles/axis
Shock	25 g (11 ms) to IEC 60068-2-27, test Ea
Corrosion	96 hours at 5 % salt mist to IEC 60068-2-11, test Ka
Humidity	240 hours at 95 % RH to IEC 60068-2-3, test Ca
Mass	approx. 220 g single pole approx. 440 g double pole approx. 660 g three pole

## Dimensions

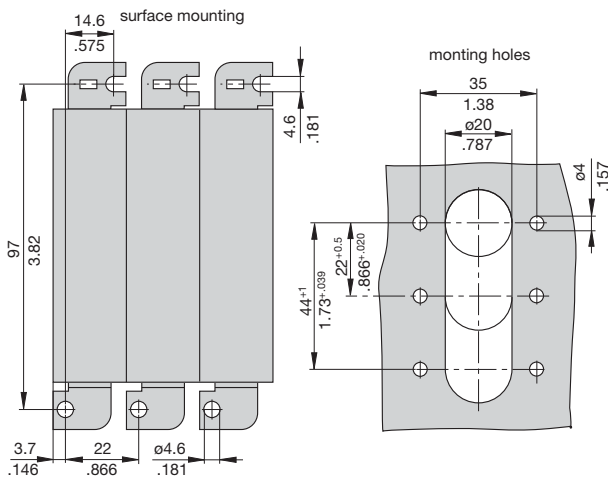


symmetrical rail DIN EN 50022-35x7.5  
G profile rail DIN EN 50035-G32 (not shown)

M3.5 - thread max. 9 mm (.354 in.) deep  
tightening torque max. 0.55 Nm

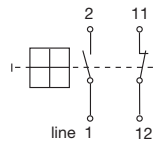


Current rating	Dimensions mm/in.				Terminal	Cross section (see DIN 46288)		Max. tightening torque
	B	C	D	E		with 1 or 2 equal conductors	with 2 different conductors	
≤ 32 A	M5	13 .512	114 4.49	7 .276	pressure plate B5 DIN 46288	2.5 mm <sup>2</sup> to 10 mm <sup>2</sup>	2.5 mm <sup>2</sup> to 10 mm <sup>2</sup>	2.0 Nm
≤ 63 A	M6	15.4 .606	120 4.72	9 .354	pressure plate B6 DIN 46288	4 mm <sup>2</sup> to 16 mm <sup>2</sup>	4 mm <sup>2</sup> and 6 mm <sup>2</sup> or 6 mm <sup>2</sup> to 16 mm <sup>2</sup>	2.5 Nm
≤ 125 A	M6	15.4 .606	120 4.72	9 .354	terminal screw			2.5 Nm

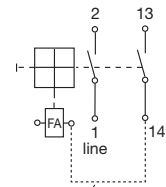


## Internal connection diagrams

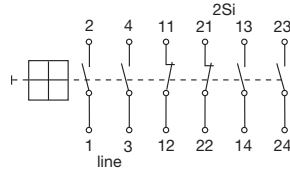
911



911-...-FA

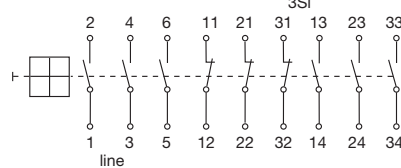


912-K



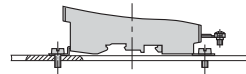
recommended link for FA coil protection pre-wired at the factory

913-K

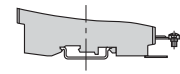


## Mounting method

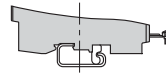
Surface mounting  
suffix: -1



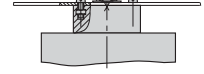
Rail mounting  
(EN 50022-35x7.5)  
suffix: -2



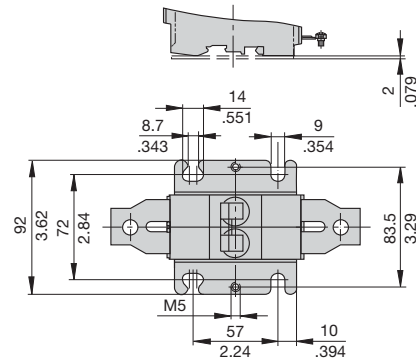
Rail mounting  
(EN 50035-G32)  
suffix: -3



Panel mounting  
suffix: -4



Mounting brackets - surface mounting  
suffix: -5

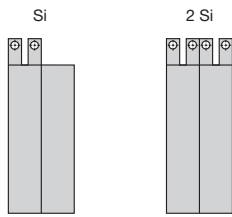


Covers, labels, sealing screws etc. can be fitted on the front of the housing.

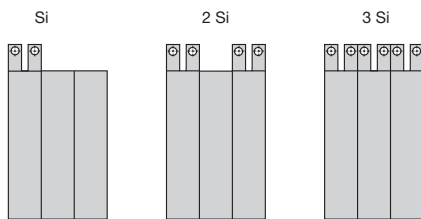
This is a metric design and millimeter dimensions take precedence ( $\frac{\text{mm}}{\text{inch}}$ )

## Auxiliary contact arrangement with multipole switches

### double pole devices



### three pole devices

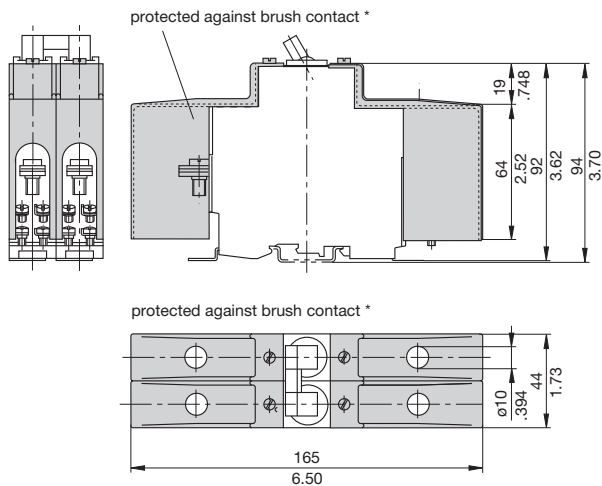


## Accessories

### Terminal insulation cover

X 211 705 01

(1 set = 2 pcs per pole)

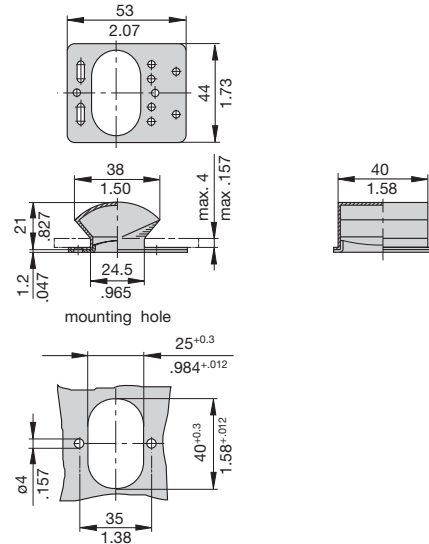


\* to DIN 57106T100/VDE 0106 T100

## Accessories

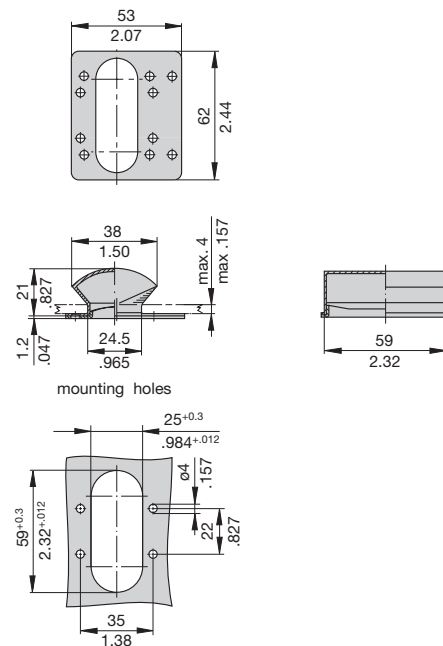
### For series 911 ≤ 125 A

Water splash cover translucent with fixing plate and screws (IP54)  
X 211 118 01



### For series 911 - 240 A and 912

Water splash cover translucent with fixing plate and screws (IP54)  
X 211 119 01



This is a metric design and millimeter dimensions take precedence ( $\frac{\text{mm}}{\text{inch}}$ )

All dimensions without tolerances are for reference only. In the interest of improved design, performance and cost effectiveness the right to make changes in these specifications without notice is reserved. Product markings may not be exactly as the ordering codes. Errors and omissions excepted.